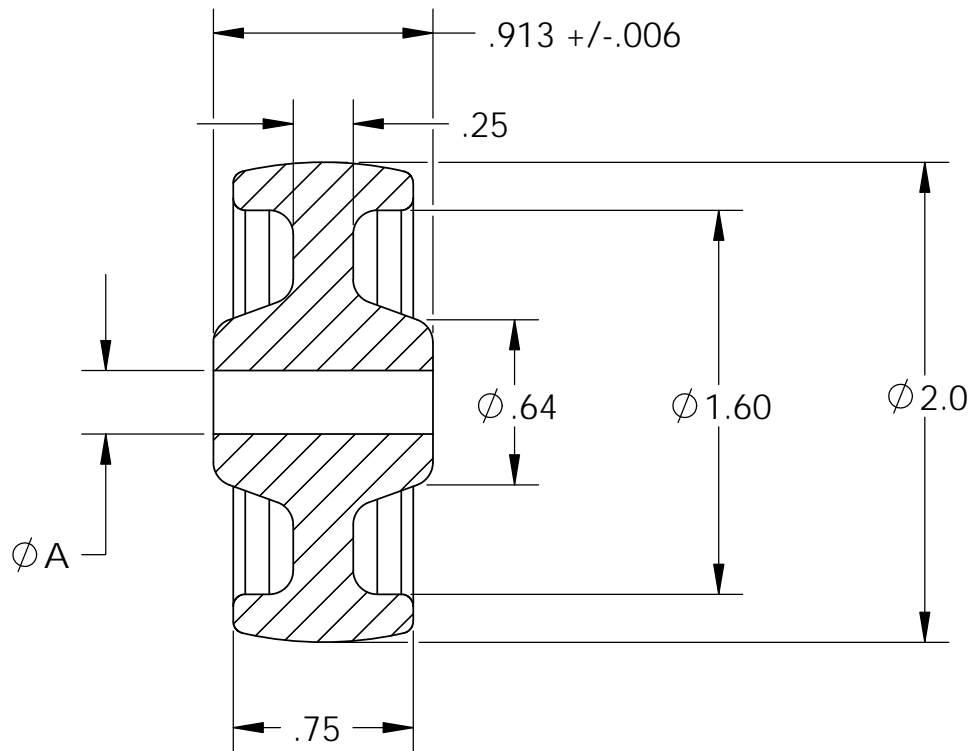


PART NUMBER	DESCRIPTION	DIM. A
1252-LD	2" X 3/4" X 1/4"	.255 - .270



SECTION A-A  
SCALE 1 : 0.8

UNLESS OTHERWISE SPECIFIED:		NAME	DATE	CIRCULAR CONCEPTS 1003 AUCUTT ROAD, MONTGOMERY, IL 60134 TELEPHONE = 800-221-0069		
DIMENSIONS ARE IN INCHES TOLERANCES:		DRAWN	JCH			2-10-09
ONE PLACE DECIMAL ±0.060		CHECKED	MM	2-11-09	TITLE: <b>2" LD</b>	
TWO PLACE DECIMAL ±0.030		ENG APPR.	JCH	2-11-09		
THREE PLACE DECIMAL ±0.015		MFG APPR.	BR	2-11-09		
MATERIAL COPOLYMER POLYPROPYLENE		Q.A.	MM	2-11-09		
PROPRIETARY AND CONFIDENTIAL THE INFORMATION CONTAINED IN THIS DRAWING IS THE SOLE PROPERTY OF THE LAKONE COMPANY. ANY REPRODUCTION IN PART OR AS A WHOLE WITHOUT THE WRITTEN PERMISSION OF THE LAKONE COMPANY IS PROHIBITED.		COMMENTS:		SIZE <b>A</b>	DWG. NO. <b>1252-LD</b>	REV <b>A</b>
DO NOT SCALE DRAWING				SCALE: 1:1	WEIGHT:	SHEET 1 OF 1