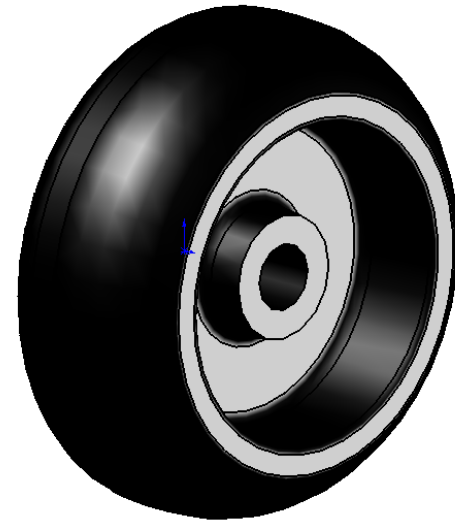
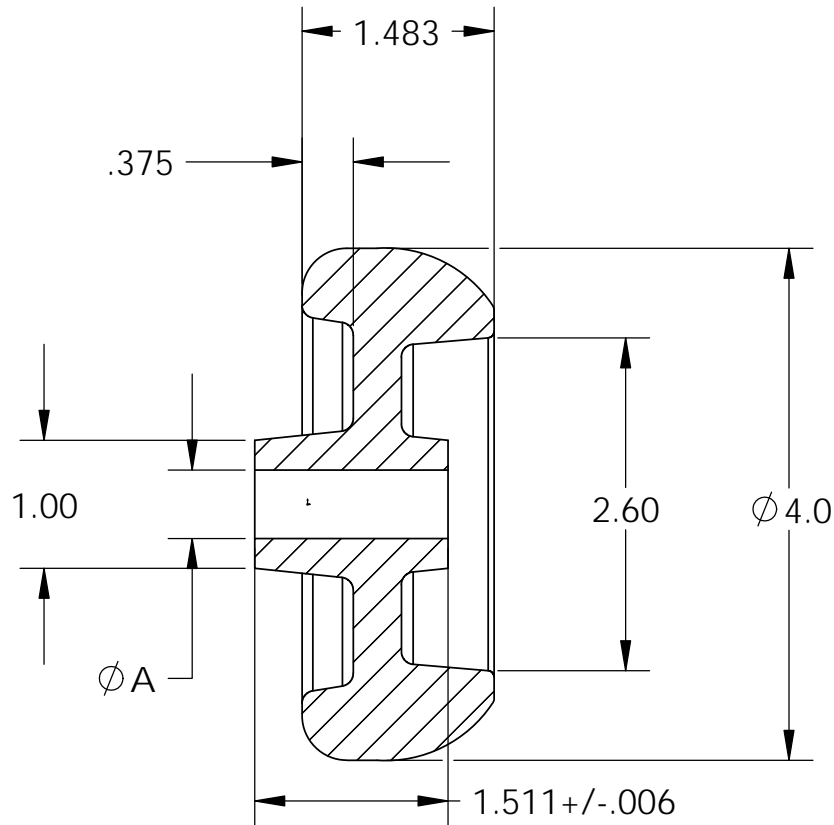
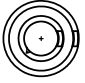


PART NUMBER	DESCRIPTION	DIM. A
46245	4 X 1-1/2 X 1/2"	.505 - .520



SECTION D-D
SCALE 1 : 1.5

UNLESS OTHERWISE SPECIFIED:		NAME	DATE	 CIRCULAR CONCEPTS 1003 AUCUTT ROAD, MONTGOMERY, IL 60134 TELEPHONE = 800-221-0069		
DIMENSIONS ARE IN INCHES TOLERANCES: ONE PLACE DECIMAL ±0.060 TWO PLACE DECIMAL ±0.030 THREE PLACE DECIMAL ±0.015		DRAWN	JCH 2-10-09			
		CHECKED	MM 2-11-09			
		ENG APPR.	JCH 2-11-09			
		MFG APPR.	BR 2-11-09			
		Q.A.	MM 2-11-09			
MATERIAL		COMMENTS:		TITLE:		
COPOLYMER POLYPROPYLENE				4" X 1-1/2" DECK WHEEL		
PROPRIETARY AND CONFIDENTIAL THE INFORMATION CONTAINED IN THIS DRAWING IS THE SOLE PROPERTY OF THE LAKONE COMPANY. ANY REPRODUCTION IN PART OR AS A WHOLE WITHOUT THE WRITTEN PERMISSION OF THE LAKONE COMPANY IS PROHIBITED.		DO NOT SCALE DRAWING		SIZE	DWG. NO.	REV
				A	46245	A
				SCALE: 1:1	SHEET 2 OF 2	