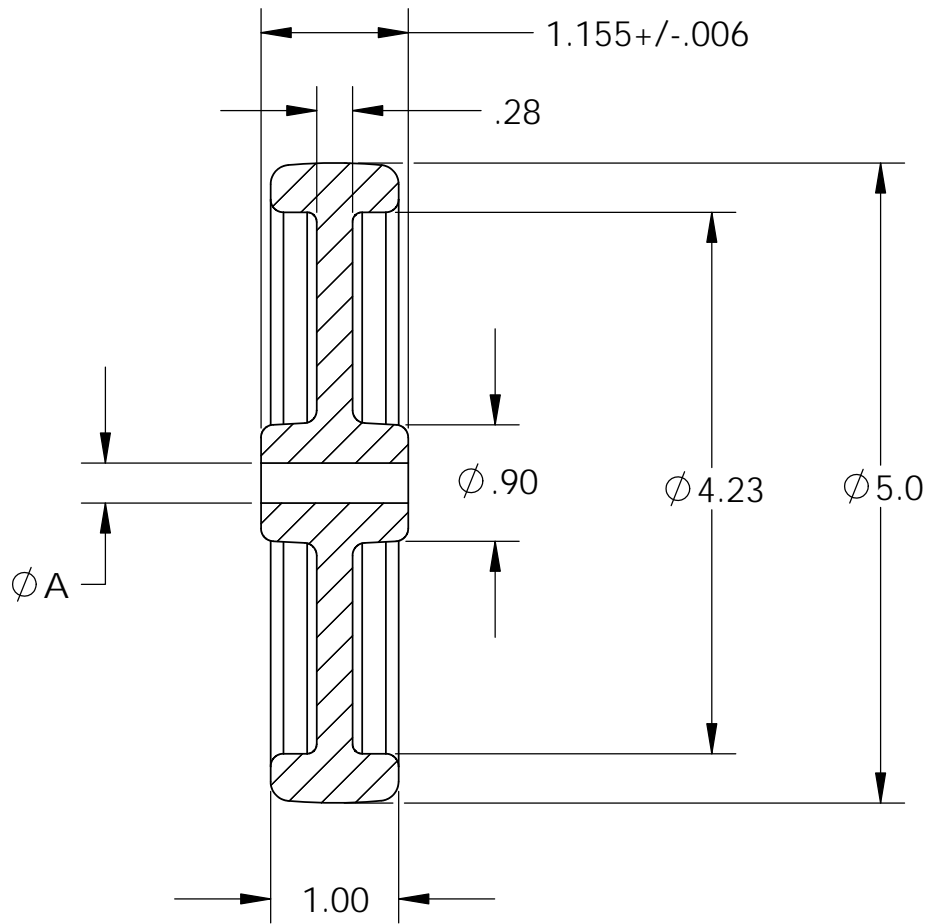


PART NUMBER	DESCRIPTION	DIM. A
5112-1	5" X 1" X 5/16"	.315 - .330
5112-2	5" X 1" X 7/16"	.443 - .460



SECTION A-A
SCALE 1 : 1.5

PROPRIETARY AND CONFIDENTIAL
THE INFORMATION CONTAINED IN THIS DRAWING IS THE SOLE PROPERTY OF THE LAKONE COMPANY. ANY REPRODUCTION IN PART OR AS A WHOLE WITHOUT THE WRITTEN PERMISSION OF THE LAKONE COMPANY IS PROHIBITED.

UNLESS OTHERWISE SPECIFIED:		NAME	DATE
DIMENSIONS ARE IN INCHES TOLERANCES: ONE PLACE DECIMAL ±0.060 TWO PLACE DECIMAL ±0.030 THREE PLACE DECIMAL ±0.015	DRAWN	JCH	2-10-09
	CHECKED	MM	2-11-09
	ENG APPR.	JCH	2-11-09
	MFG APPR.	BR	2-11-09
	Q.A.	MM	2-11-09
MATERIAL	COMMENTS:		
COPOLYMER POLYPROPYLENE			
DO NOT SCALE DRAWING			



CIRCULAR CONCEPTS

1003 AUCUTT ROAD, MONTGOMERY, IL 60134
TELEPHONE = 800-221-0069

TITLE:

5" X 1"

SIZE A	DWG. NO. 5112	REV A
SCALE: 1:1		SHEET 1 OF 3