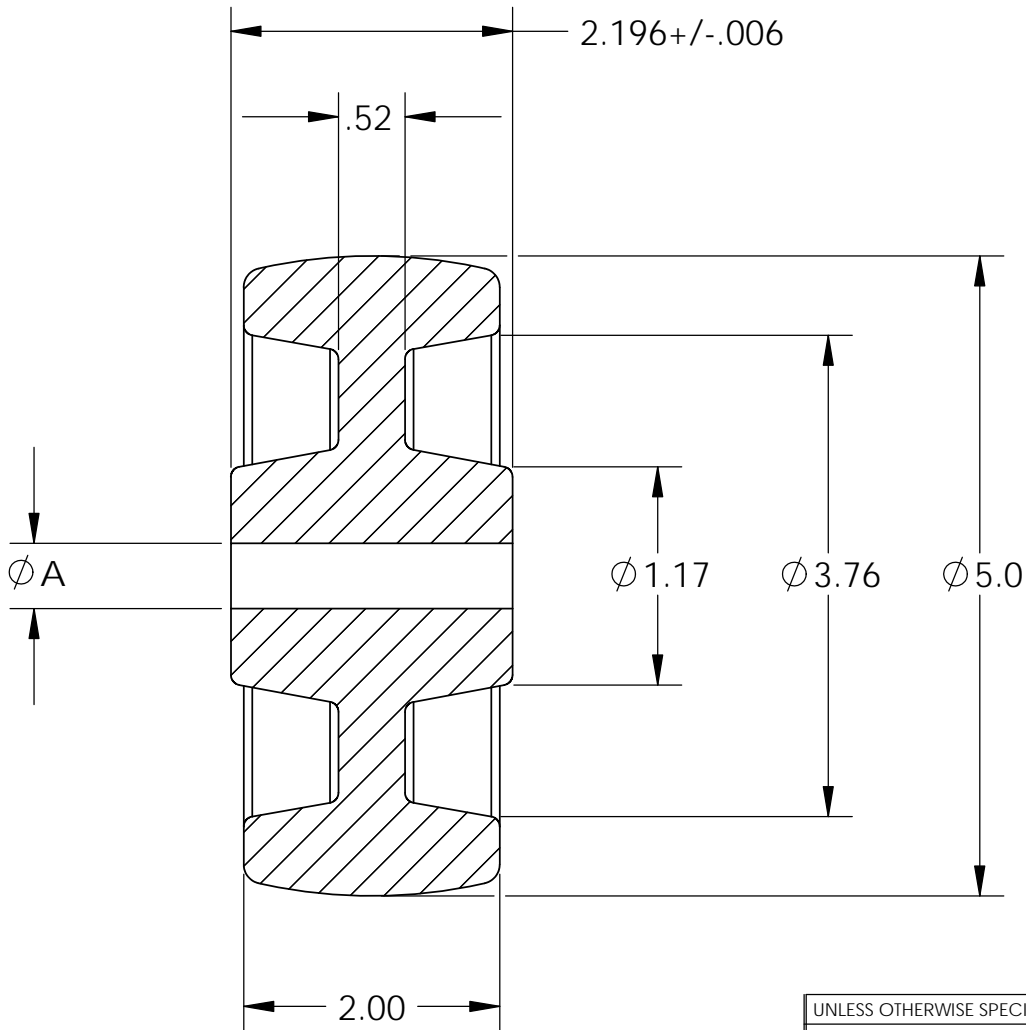


PART NUMBER	DESCRIPTION	DIM. A
5520-1	5" X 2" X 3/4"	.755 - .770
5520-2	5" X 2" X 5/8"	.630 - .645
5520-6	5" X 2" X 1/2"	.505 - .520



SECTION A-A  
SCALE 1 : 1.5

**PROPRIETARY AND CONFIDENTIAL**  
THE INFORMATION CONTAINED IN THIS DRAWING IS THE SOLE PROPERTY OF THE LAKONE COMPANY. ANY REPRODUCTION IN PART OR AS A WHOLE WITHOUT THE WRITTEN PERMISSION OF THE LAKONE COMPANY IS PROHIBITED.

UNLESS OTHERWISE SPECIFIED:		NAME	DATE
DRAWN		JCH	2-10-09
CHECKED		MM	2-11-09
ENG APPR.		JCH	2-11-09
MFG APPR.		BR	2-11-09
Q.A.		MM	2-11-09
COMMENTS:			
MATERIAL		COPOLYMER POLYPROPYLENE	
DO NOT SCALE DRAWING			



**CIRCULAR CONCEPTS**  
1003 AUCUTT ROAD, MONTGOMERY, IL 60134  
TELEPHONE = 800-221-0069

TITLE: **5" X 2"**

SIZE <b>A</b>	DWG. NO. <b>5220</b>	REV <b>A</b>
SCALE: 1:1		SHEET 1 OF 2