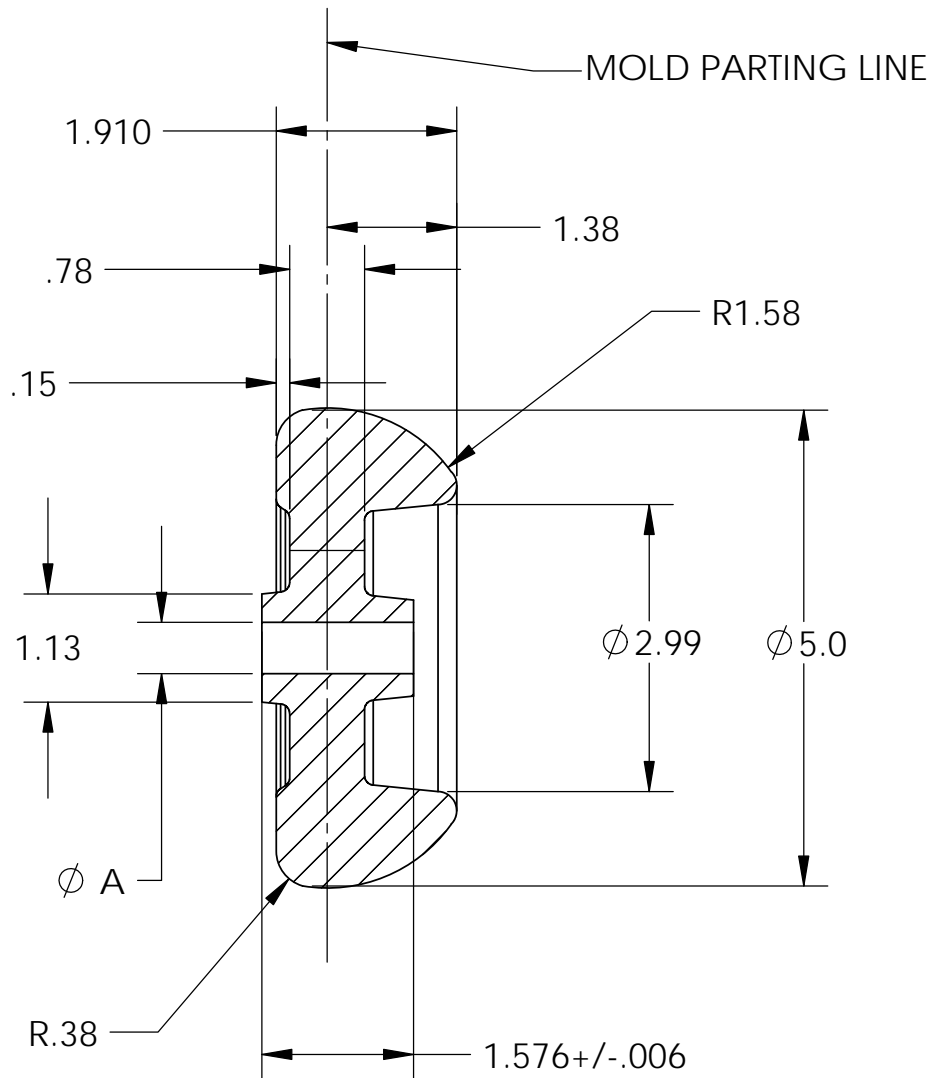


PART NUMBER	DESCRIPTION	DIM. A
52-HD	5" X 2" X 1/2" HD	.510 - .550



SECTION A-A  
SCALE 1 : 2

**PROPRIETARY AND CONFIDENTIAL**  
THE INFORMATION CONTAINED IN THIS DRAWING IS THE SOLE PROPERTY OF THE LAKONE COMPANY. ANY REPRODUCTION IN PART OR AS A WHOLE WITHOUT THE WRITTEN PERMISSION OF THE LAKONE COMPANY IS PROHIBITED.

UNLESS OTHERWISE SPECIFIED:		NAME	DATE
DIMENSIONS ARE IN INCHES TOLERANCES:  ONE PLACE DECIMAL ±0.060 TWO PLACE DECIMAL ±0.030 THREE PLACE DECIMAL ±0.015	DRAWN	JCH	2-10-09
	CHECKED	MM	2-11-09
	ENG APPR.	JCH	2-11-09
	MFG APPR.	BR	2-11-09
	Q.A.	MM	2-11-09
MATERIAL	COMMENTS:		
COPOLYMER POLYPROPYLENE			
DO NOT SCALE DRAWING			

 **CIRCULAR CONCEPTS**  
1003 AUCUTT ROAD, MONTGOMERY, IL 60134  
TELEPHONE = 800-221-0069

TITLE:  
**5" X 2" DECK WHEEL**

SIZE <b>A</b>	DWG. NO. <b>52HD</b>	REV <b>A</b>
------------------	-------------------------	-----------------

SCALE: 1:1 SHEET 1 OF 1