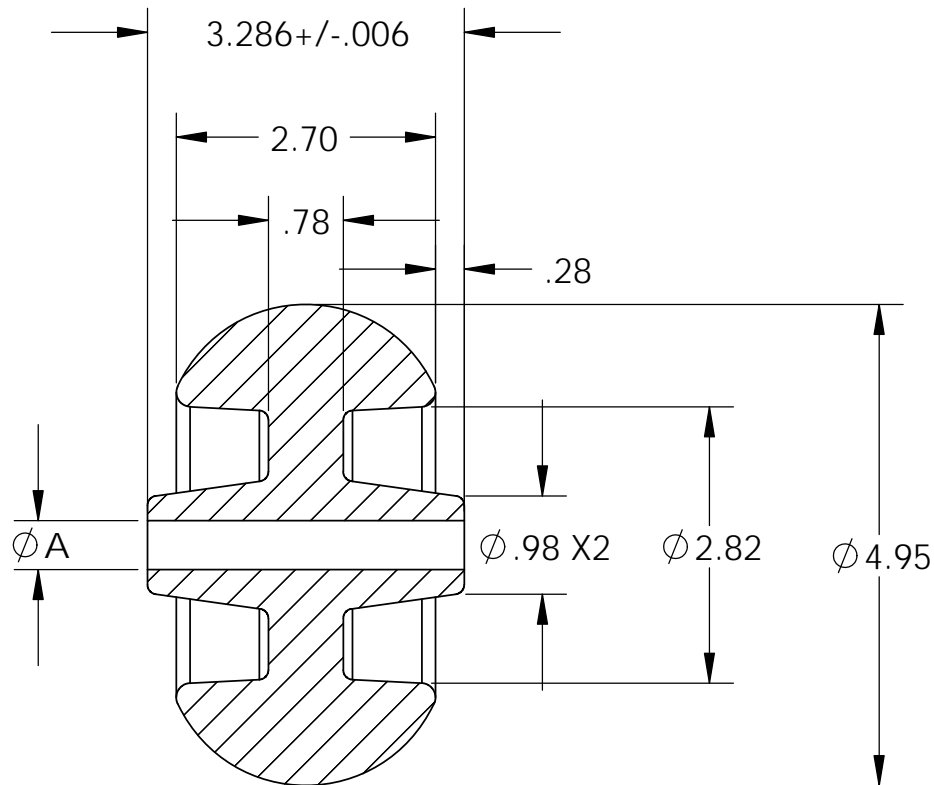


PART NUMBER	DESCRIPTION	DIM. A
53CTH-01	5" X 3" X 1/2" CTH	.510 - .550
53CTH-02	5" X 3" X 5/8" CTH	.630 - .645



SECTION A-A
SCALE 1 : 2

PROPRIETARY AND CONFIDENTIAL
THE INFORMATION CONTAINED IN THIS DRAWING IS THE SOLE PROPERTY OF THE LAKONE COMPANY. ANY REPRODUCTION IN PART OR AS A WHOLE WITHOUT THE WRITTEN PERMISSION OF THE LAKONE COMPANY IS PROHIBITED.

UNLESS OTHERWISE SPECIFIED:		NAME	DATE
DIMENSIONS ARE IN INCHES TOLERANCES: ONE PLACE DECIMAL ±0.060 TWO PLACE DECIMAL ±0.030 THREE PLACE DECIMAL ±0.015	DRAWN	JCH	2-10-09
	CHECKED	MM	2-11-09
	ENG APPR.	JCH	2-11-09
	MFG APPR.	BR	2-11-09
	Q.A.	MM	2-11-09
MATERIAL	COMMENTS:		
COPOLYMER POLYPROPYLENE			
DO NOT SCALE DRAWING			



CIRCULAR CONCEPTS

1003 AUCUTT ROAD, MONTGOMERY, IL 60134
TELEPHONE = 800-221-0069

TITLE: **5" X 3" Deck Wheel
Center Hub**

SIZE A	DWG. NO. 53CTH	REV A
------------------	--------------------------	-----------------

SCALE: 1:1 SHEET 1 OF 1