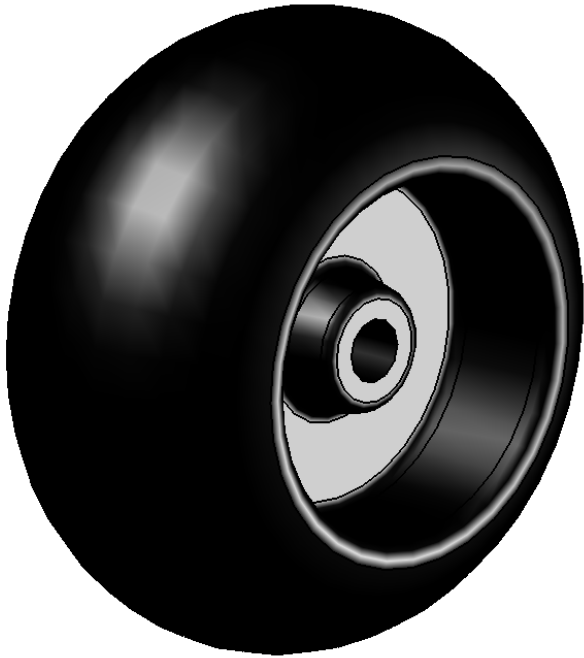
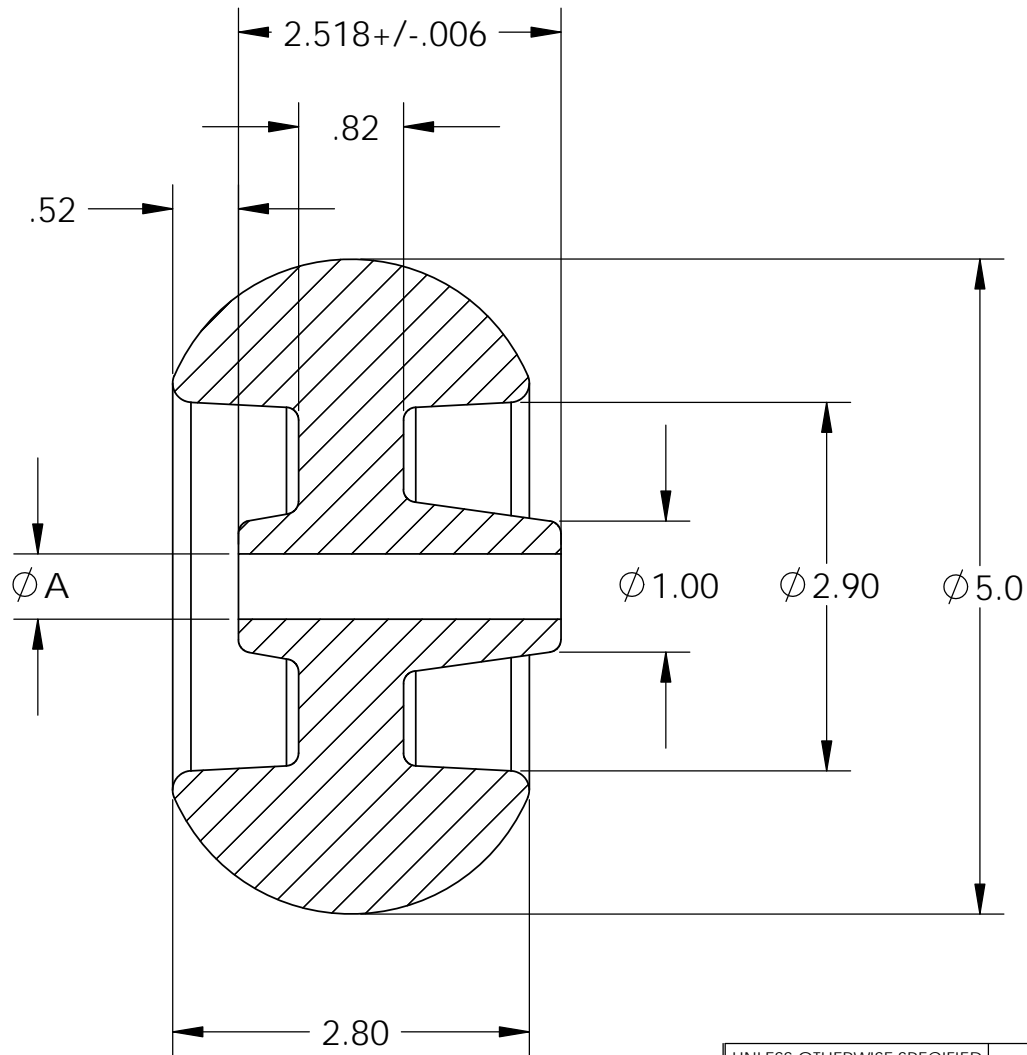


PART NUMBER	DESCRIPTION	DIM. A
53HD-01	5" X 3" X 1/2 HD	.515 - .550
53HD-02	5" X 3" X 5/8 HD	.630 - .645



SECTION A-A
SCALE 1 : 1.5

PROPRIETARY AND CONFIDENTIAL
THE INFORMATION CONTAINED IN THIS DRAWING IS THE SOLE PROPERTY OF THE LAKONE COMPANY. ANY REPRODUCTION IN PART OR AS A WHOLE WITHOUT THE WRITTEN PERMISSION OF THE LAKONE COMPANY IS PROHIBITED.

UNLESS OTHERWISE SPECIFIED:		NAME	DATE
DIMENSIONS ARE IN INCHES TOLERANCES: ONE PLACE DECIMAL ±0.060 TWO PLACE DECIMAL ±0.030 THREE PLACE DECIMAL ±0.015	DRAWN	JCH	2-10-09
	CHECKED	MM	2-11-09
	ENG APPR.	JCH	2-11-09
	MFG APPR.	BR	2-11-09
	Q.A.	MM	2-11-09
MATERIAL		COMMENTS:	
COPOLYMER POLYPROPYLENE			
DO NOT SCALE DRAWING			



CIRCULAR CONCEPTS

1003 AUCUTT ROAD, MONTGOMERY, IL 60134
TELEPHONE = 800-221-0069

TITLE:
**5" X 3" DECK WHEEL
OFFSET HUB**

SIZE A	DWG. NO. 53 HD	REV A
------------------	--------------------------	-----------------

SCALE: 1:1

SHEET 1 OF 2