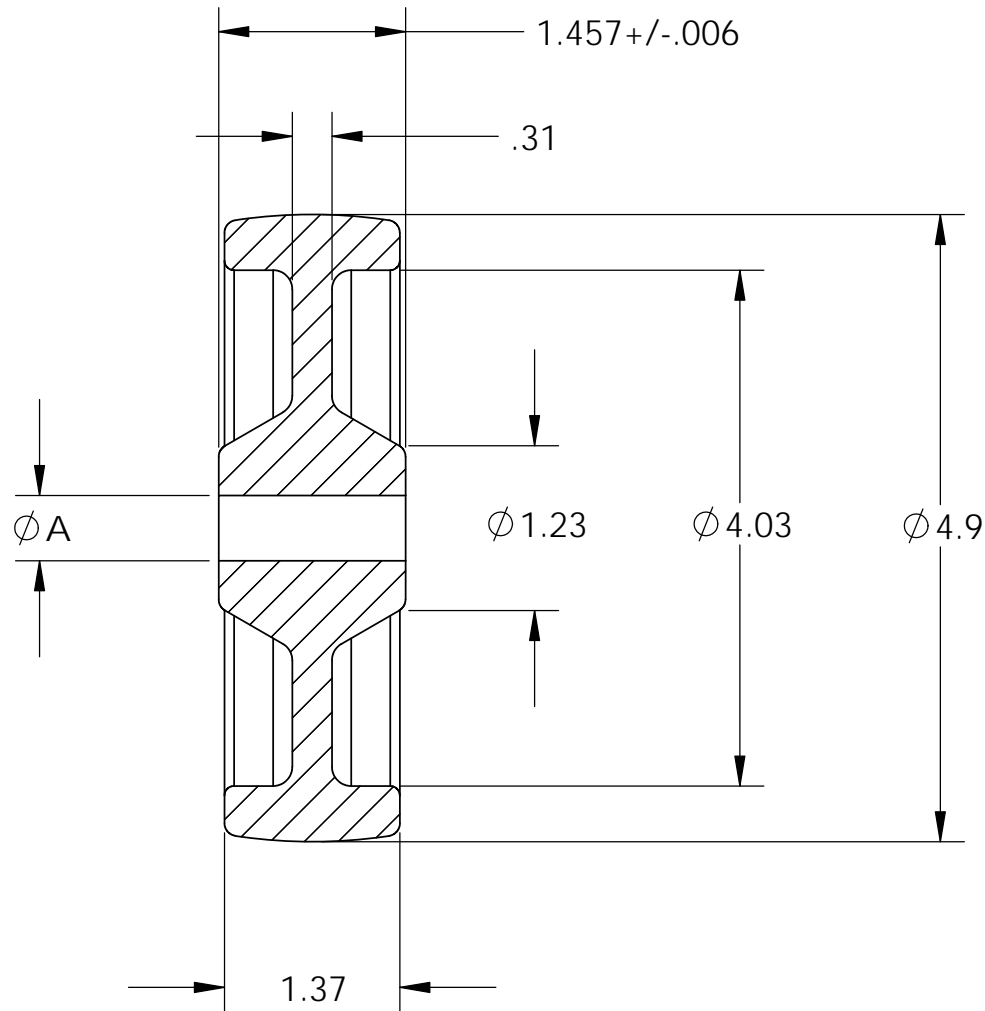


PART NUMBER	DESCRIPTION	DIM. A
5613-1	5" X 1-3/8" X 1/2"	.505 - .520
5613-2	5" X 1-3/8" X 1/2" S.B.	.501 - .520



SECTION B-B  
SCALE 1 : 1.5

**PROPRIETARY AND CONFIDENTIAL**  
THE INFORMATION CONTAINED IN THIS DRAWING IS THE SOLE PROPERTY OF THE LAKONE COMPANY. ANY REPRODUCTION IN PART OR AS A WHOLE WITHOUT THE WRITTEN PERMISSION OF THE LAKONE COMPANY IS PROHIBITED.

UNLESS OTHERWISE SPECIFIED:

DIMENSIONS ARE IN INCHES  
TOLERANCES:  
ONE PLACE DECIMAL ±0.060  
TWO PLACE DECIMAL ±0.030  
THREE PLACE DECIMAL ±0.015

MATERIAL  
COPOLYMER POLYPROPYLENE

DO NOT SCALE DRAWING

	NAME	DATE
DRAWN	JCH	2-10-09
CHECKED	MM	2-11-09
ENG APPR.	JCH	2-11-09
MFG APPR.	BR	2-11-09
Q.A.	MM	2-11-09

COMMENTS:



**CIRCULAR CONCEPTS**

1003 AUCUTT ROAD, MONTGOMERY, IL 60134  
TELEPHONE = 800-221-0069

TITLE:

**5" X 1-3/8"**

SIZE	DWG. NO.	REV
<b>A</b>	<b>5613</b>	<b>A</b>

SCALE: 1:1

SHEET 1 OF 1