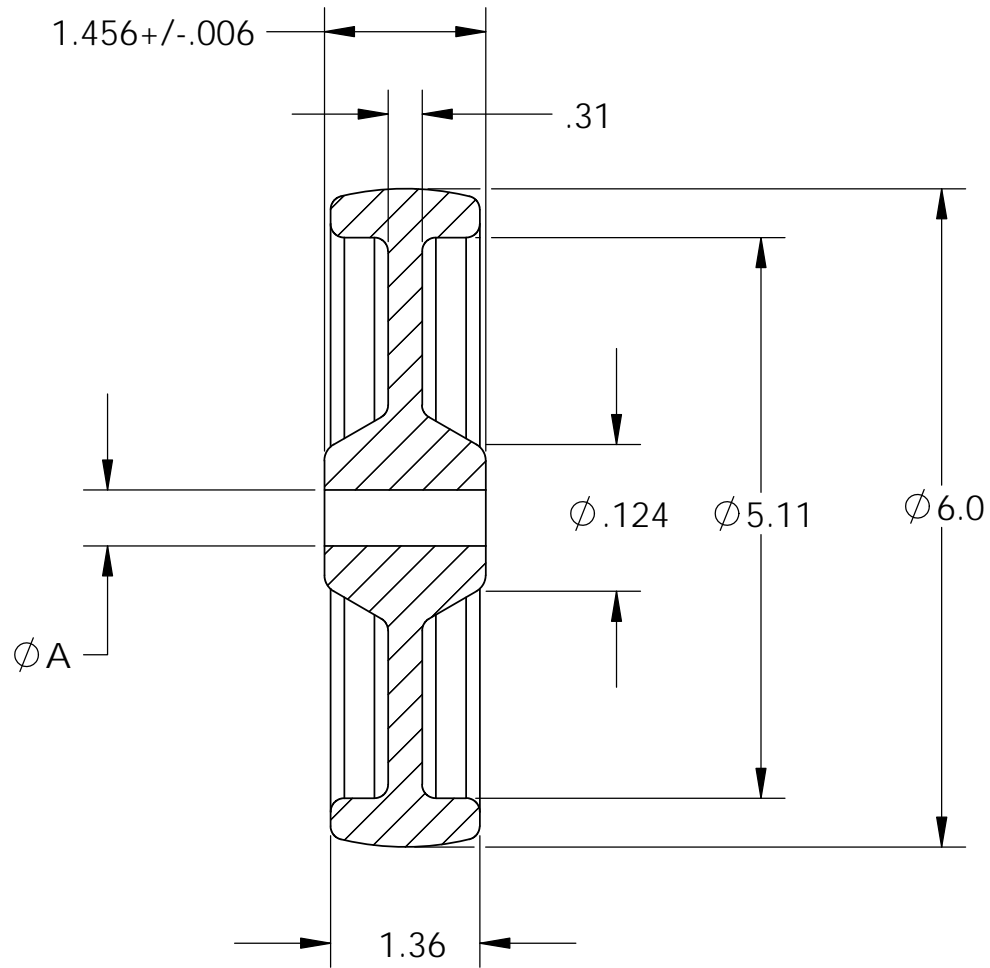


PART NUMBER	DESCRIPTION	DIM. A
6138-1	6" X 1-3/8" X 1/2"	.505 - .520
6138-2	6" X 1-3/8" X 1/2" SB	.501 - .520



SECTION B-B  
SCALE 1 : 1.75

**PROPRIETARY AND CONFIDENTIAL**  
THE INFORMATION CONTAINED IN THIS DRAWING IS THE SOLE PROPERTY OF THE LAKONE COMPANY. ANY REPRODUCTION IN PART OR AS A WHOLE WITHOUT THE WRITTEN PERMISSION OF THE LAKONE COMPANY IS PROHIBITED.

UNLESS OTHERWISE SPECIFIED:		NAME	DATE
DIMENSIONS ARE IN INCHES TOLERANCES:  ONE PLACE DECIMAL ±0.060 TWO PLACE DECIMAL ±0.030 THREE PLACE DECIMAL ±0.015		DRAWN	JCH 2-10-09
		CHECKED	MM 2-11-09
		ENG APPR.	JCH 2-11-09
		MFG APPR.	BR 2-11-09
		Q.A.	MM 2-11-09
MATERIAL		COMMENTS:	
COPOLYMER POLYPROPYLENE			
DO NOT SCALE DRAWING			



**CIRCULAR CONCEPTS**

1003 AUCUTT ROAD, MONTGOMERY, IL 60134  
TELEPHONE = 800-221-0069

TITLE:

**6" X 1-3/8"**

SIZE <b>A</b>	DWG. NO. <b>6138</b>	REV <b>A</b>
SCALE: 1:1		SHEET 1 OF 1