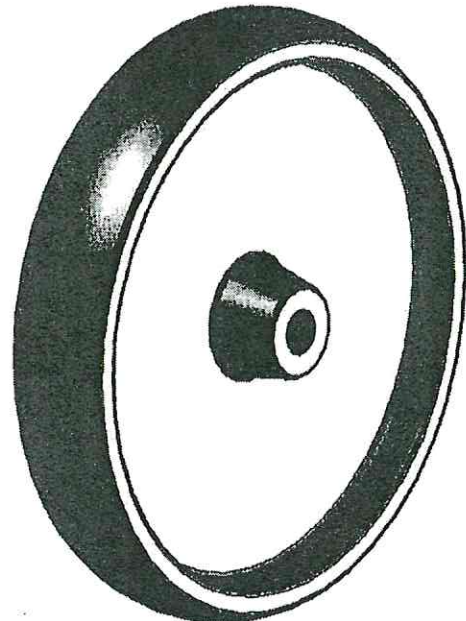
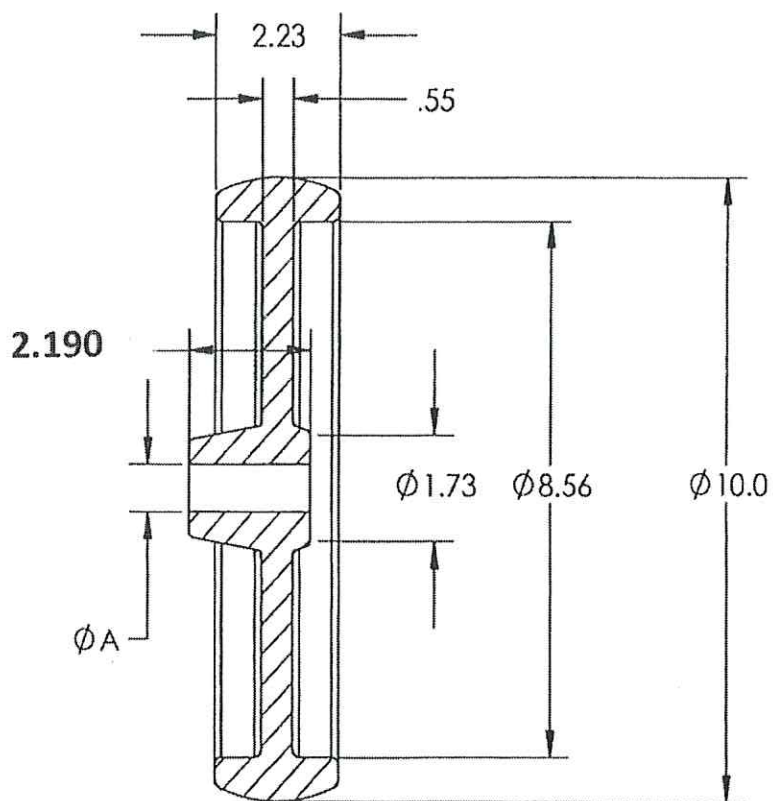


PART NUMBER	DESCRIPTION	DIM. A
10SD-1	10" X 2-1/4" X 7/8" OSH	.880 - .895
10SD-2	10" X 2-1/4" X 3/4" OSH	.755 - .770
10SD-3	10" X 2-1/4" X 5/8" OSH	.630 - .645
10SD-4	10" X 2-1/4" X 1-1/64" OSH	1.005 - 1.025
10SD-5	10" X 2-1/4" X 1-3/16" OSH	1.178 - 1.195



SECTION A-A
SCALE 1 : 2.75

PROPRIETARY AND CONFIDENTIAL
THE INFORMATION CONTAINED IN THIS
DRAWING IS THE SOLE PROPERTY OF
THE LAKONE COMPANY. ANY
REPRODUCTION IN PART OR AS A WHOLE
WITHOUT THE WRITTEN PERMISSION OF
THE LAKONE COMPANY IS
PROHIBITED.

UNLESS OTHERWISE SPECIFIED		NAME	DATE
DIMENSIONS ARE IN INCHES TOLERANCES:		DRAWN:	JCH 2-10-09
ONE PLACE DECIMAL ±0.060		CHECKED:	MM 2-11-09
TWO PLACE DECIMAL ±0.030		ENG APPR.:	JCH 2-11-09
THREE PLACE DECIMAL ±0.015		MFG APPR.:	BR 2-11-09
		Q.A.:	MM 2-11-09
MATERIAL		COMMENTS:	
COPOLYMER POLYPROPYLENE			
DO NOT SCALE DRAWING			

 CIRCULAR CONCEPTS
1033 AUCUTT ROAD, MONTGOMERY, IL 60134
TELEPHONE: 630-221-0069

TITLE:
10" X 2-1/4" SOLID

SIZE	DWG. NO.	REV
A	10SD OSH	A

SCALE: 1:1 SHEET 1 OF 1

5 4 3 2 1