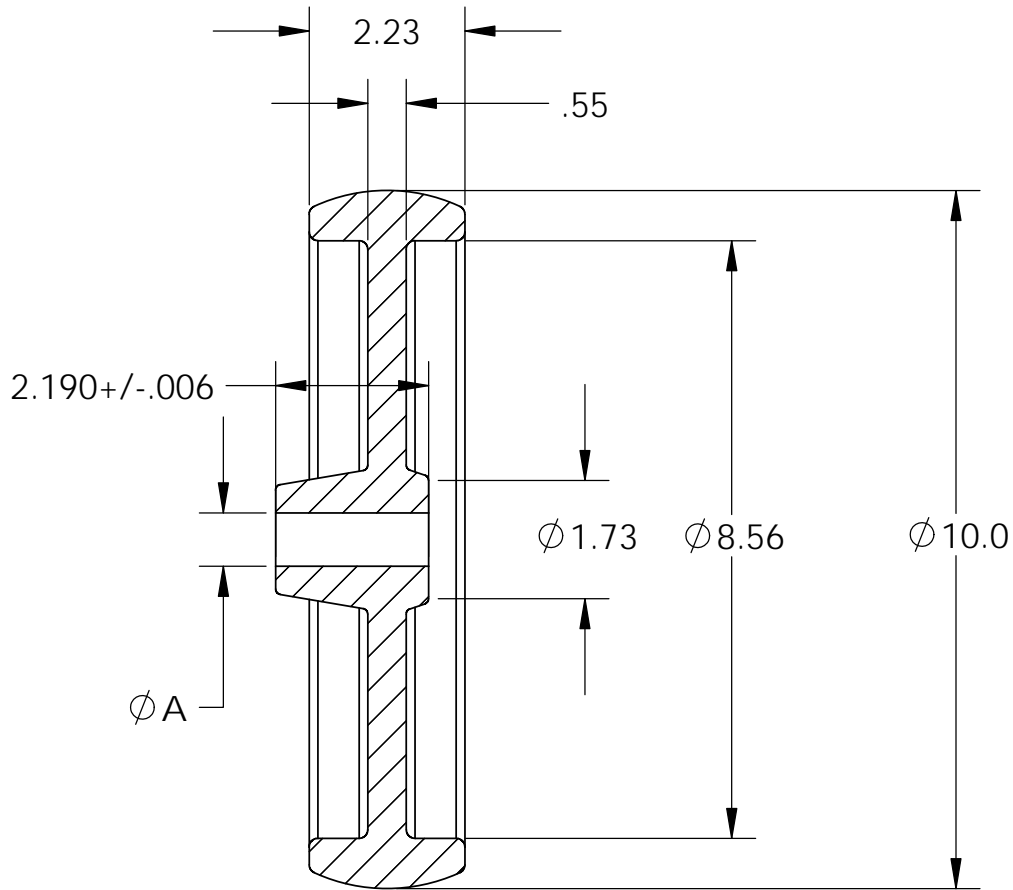


PART NUMBER	DESCRIPTION	DIM. A
10SD-1	10" X 2-1/4" X 7/8" OSH	.880 - .895
10SD-2	10" X 2-1/4" X 3/4" OSH	.755 - .770
10SD-3	10" X 2-1/4" X 5/8" OSH	.630 - .645
10SD-4	10" X 2-1/4" X 1-1/64" OSH	1.005 - 1.025
10SD-5	10" X 2-1/4" X 1-3/16" OSH	1.178 - 1.195



SECTION A-A
SCALE 1 : 2.75

PROPRIETARY AND CONFIDENTIAL
THE INFORMATION CONTAINED IN THIS DRAWING IS THE SOLE PROPERTY OF THE LAKONE COMPANY. ANY REPRODUCTION IN PART OR AS A WHOLE WITHOUT THE WRITTEN PERMISSION OF THE LAKONE COMPANY IS PROHIBITED.

UNLESS OTHERWISE SPECIFIED:	
DIMENSIONS ARE IN INCHES	
TOLERANCES:	
ONE PLACE DECIMAL ± 0.060	
TWO PLACE DECIMAL ± 0.030	
THREE PLACE DECIMAL ± 0.015	
MATERIAL	COPOLYMER POLYPROPYLENE
DO NOT SCALE DRAWING	

	NAME	DATE
DRAWN	JCH	2-10-09
CHECKED	MM	2-11-09
ENG APPR.	JCH	2-11-09
MFG APPR.	BR	2-11-09
Q.A.	MM	2-11-09

CIRCULAR CONCEPTS
1003 AUCUTT ROAD, MONTGOMERY, IL 60134
TELEPHONE = 800-221-0069

TITLE:
10" X 2-1/4" SOLID

SIZE A	DWG. NO. 10SD OSH	REV A
SCALE: 1:1		SHEET 1 OF 1