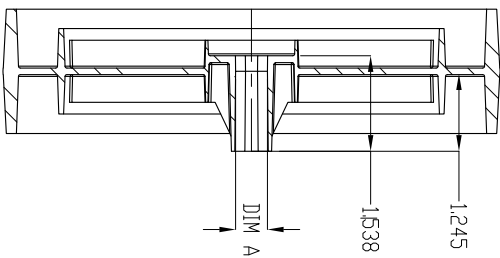
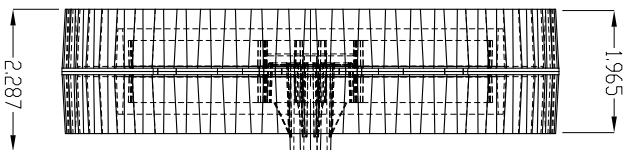
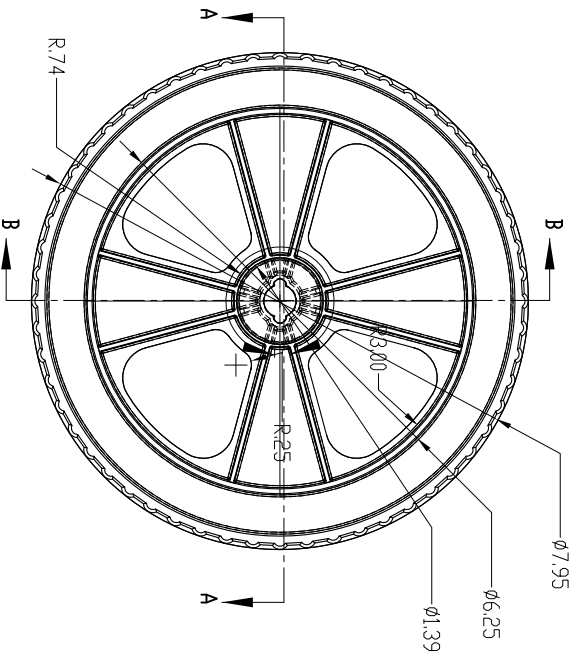


PART NUMBER	DESCRIPTION	DIM A
8L-1	8 X 2 X 1/2	.505-.525
8L-1D	8 X 2 X 1/2 Drive	.505-.525



SECTION B-B

PROPRIETARY AND CONFIDENTIAL
 THE INFORMATION CONTAINED IN THIS
 DRAWING IS THE SOLE PROPERTY OF
 THE LAKNE COMPANY. ANY
 REPRODUCTION IN PART OR AS A WHOLE
 WITHOUT THE WRITTEN PERMISSION OF
 THE LAKNE COMPANY IS
 PROHIBITED.

UNLESS OTHERWISE SPECIFIED	
DIMENSIONS ARE IN INCHES	
TOLERANCES:	
ONE PLACE DECIMAL	± 0.060
TWO PLACE DECIMAL	± 0.030
THREE PLACE DECIMAL	± 0.015
MATERIAL:	COPOLYMER POLYPROPYLENE
DO NOT SCALE DRAWING	

NAME	DATE
JCH	2-10-09
MM	2-11-09
JCH	2-11-09
BR	2-11-09
MM	2-11-09

COMMENTS:

CHECKED

ENG APPR.

MFG APPR.

Q.A.

TITLE:
8" LAWN AND GARDEN

CIRCULAR CONCEPTS
 1003 AUCUTT ROAD, MONTGOMERY, IL 60134
 TELEPHONE = 800-221-0069

SIZE DWG. NO. 1916

SCALE: 1:1

SHEET 1 OF 1

REV C