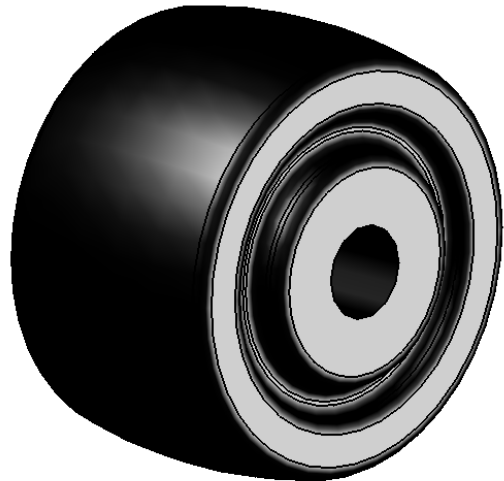
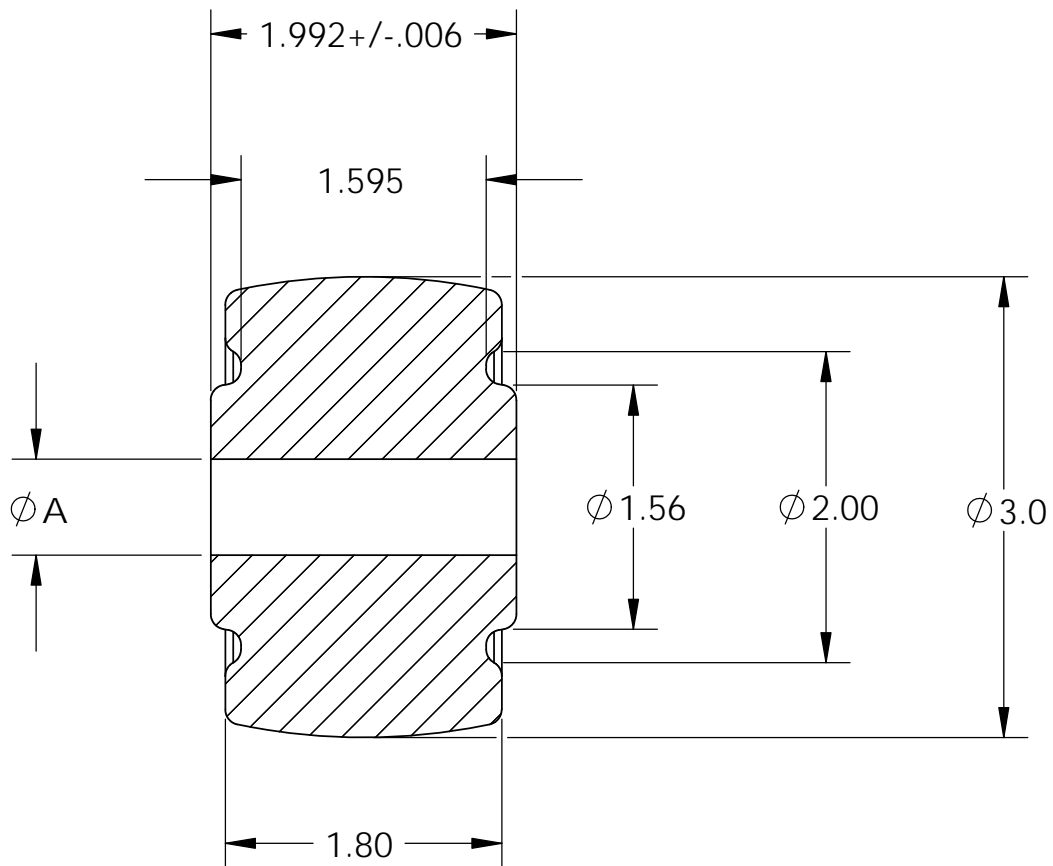


PART NUMBER	DESCRIPTION	DIM. A
3113-1	3" X 1-13/16" X 5/8"	.630 - .645
3113-2	3" X 1-13/16" X 7/16"	.443 - .460
3113-3	3" X 1-13/16" X 1/2"	.505 - .520
3113-6	3" X 1-13/16" X R.B.-BORE	1.178 - 1.195



SECTION A-A
SCALE 1 : 1.25

UNLESS OTHERWISE SPECIFIED:		NAME	DATE
DIMENSIONS ARE IN INCHES		DRAWN	JCH 2-10-09
TOLERANCES:		CHECKED	MM 2-11-09
ONE PLACE DECIMAL	±0.060	ENG APPR.	JCH 2-11-09
TWO PLACE DECIMAL	±0.030	MFG APPR.	BR 2-11-09
THREE PLACE DECIMAL	±0.015	Q.A.	MM 2-11-09
MATERIAL	COPOLYMER POLYPROPYLENE	COMMENTS:	
DO NOT SCALE DRAWING			

 **CIRCULAR CONCEPTS**
1003 AUCUTT ROAD, MONTGOMERY, IL 60134
TELEPHONE = 800-221-0069

TITLE:
3" X 1-13/16"

SIZE A	DWG. NO. 3113	REV A
------------------	-------------------------	-----------------

SCALE: 1:1 SHEET 1 OF 1

PROPRIETARY AND CONFIDENTIAL
THE INFORMATION CONTAINED IN THIS DRAWING IS THE SOLE PROPERTY OF THE LAKONE COMPANY. ANY REPRODUCTION IN PART OR AS A WHOLE WITHOUT THE WRITTEN PERMISSION OF THE LAKONE COMPANY IS PROHIBITED.