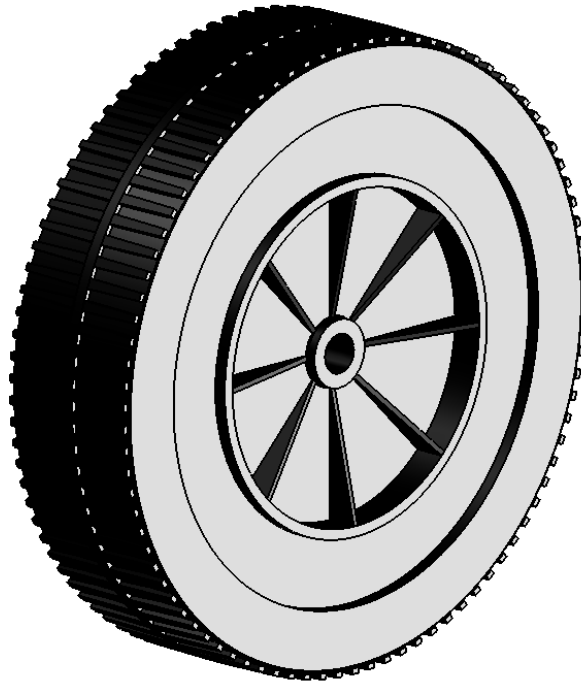
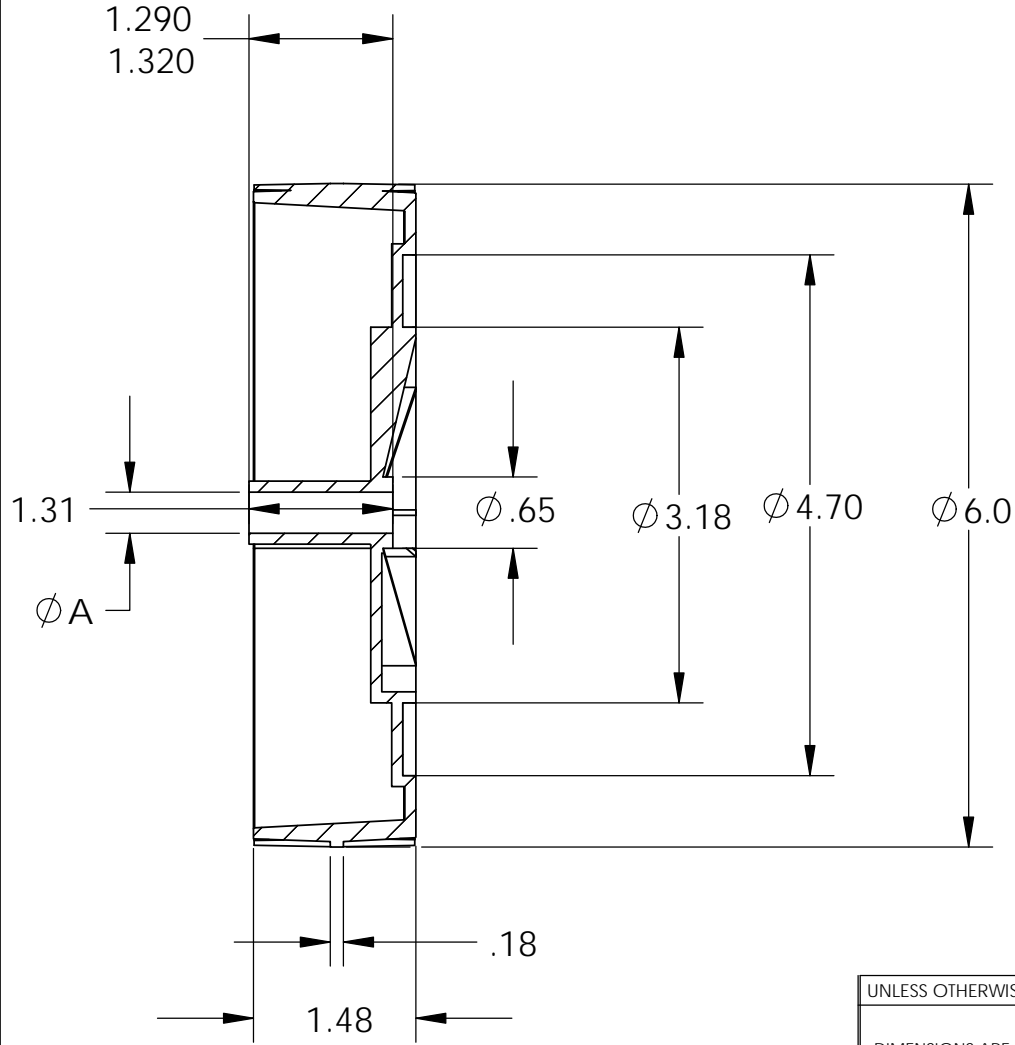


PART NUMBER	DESCRIPTION	DIM. A
6156-LD	6" X 1-1/2" X 3/8" L.D.	.380 - .395



SECTION G-G
SCALE 1 : 1.75

PROPRIETARY AND CONFIDENTIAL
THE INFORMATION CONTAINED IN THIS DRAWING IS THE SOLE PROPERTY OF THE LAKONE COMPANY. ANY REPRODUCTION IN PART OR AS A WHOLE WITHOUT THE WRITTEN PERMISSION OF THE LAKONE COMPANY IS PROHIBITED.

UNLESS OTHERWISE SPECIFIED:		NAME	DATE
DIMENSIONS ARE IN INCHES TOLERANCES: ONE PLACE DECIMAL ±0.060 TWO PLACE DECIMAL ±0.030 THREE PLACE DECIMAL ±0.015	DRAWN	JCH	2-10-09
	CHECKED	MM	2-11-09
	ENG APPR.	JCH	2-11-09
	MFG APPR.	BR	2-11-09
	Q.A.	MM	2-11-09
MATERIAL		COMMENTS:	
COPOLYMER POLYPROPYLENE			
DO NOT SCALE DRAWING			



CIRCULAR CONCEPTS
1003 AUCUTT ROAD, MONTGOMERY, IL 60134
TELEPHONE = 800-221-0069

TITLE:
6" X 1-1/2" - LIGHT DUTY

SIZE A	DWG. NO. 6156-LD	REV A
SCALE: 1:1		SHEET 1 OF 1