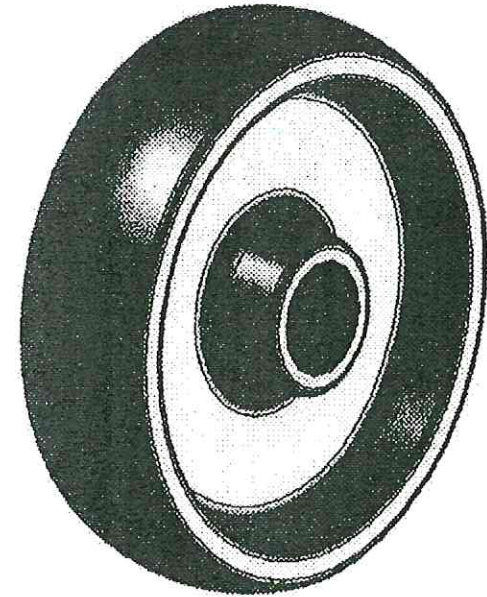
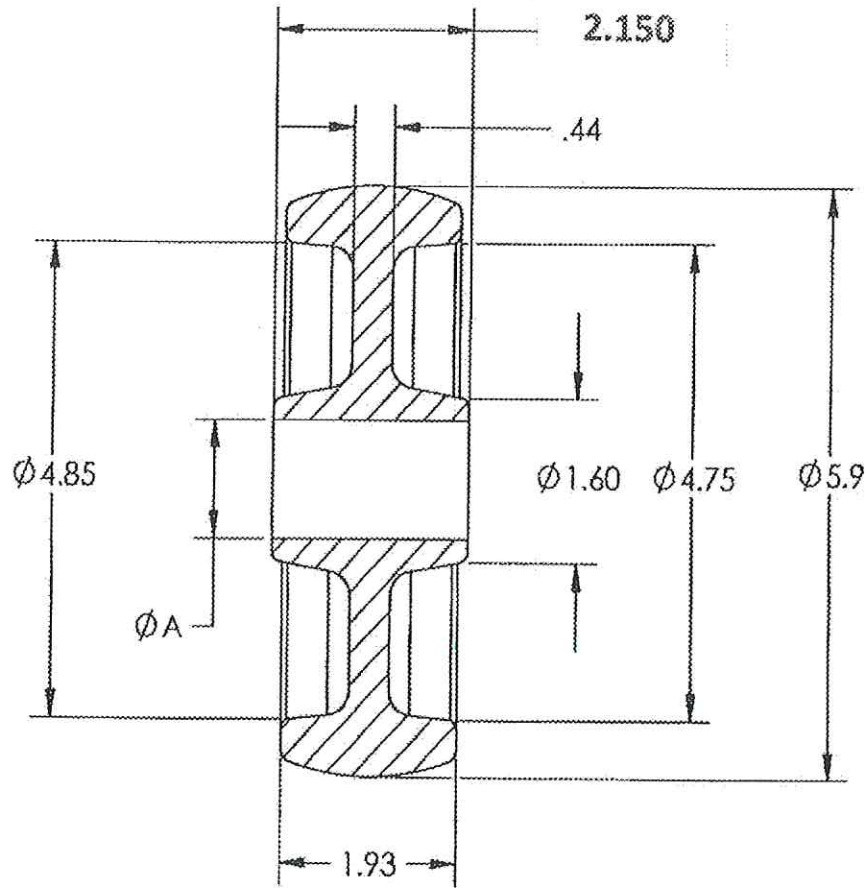



PART NUMBER	DESCRIPTION	DIM. A
6245-4A	6" X 2" X 1-3/16" SH	1.178 - 1.198



SECTION A-A
SCALE 1 : 1.75

PROPRIETARY AND CONFIDENTIAL
THE INFORMATION CONTAINED IN THIS
DRAWING IS THE SOLE PROPERTY OF
THE LAKONE COMPANY. ANY
REPRODUCTION IN PART OR AS A WHOLE
WITHOUT THE WRITTEN PERMISSION OF
THE LAKONE COMPANY IS
PROHIBITED.

UNLESS OTHERWISE SPECIFIED:		NAME	DATE
DIMENSIONS ARE IN INCHES		DRAWN	JCH 2-10-09
TOLERANCES:		CHECKED	MM 2-11-09
ONE PLACE DECIMAL	±0.060	ENG APPR.	JCH 2-11-09
TWO PLACE DECIMAL	±0.003	MFG APPR.	BR 2-11-09
THREE PLACE DECIMAL	±0.015	D.A.	MM 2-11-09
MATERIAL		COMMENTS:	
COPOLYMER POLYPROPYLENE			
DO NOT SCALE DRAWING			

 CIRCULAR CONCEPTS 1003 ALCOTT ROAD, MONTGOMERY, AL 36114 TELEPHONE = 205-221-0839		
TITLE:		
6" X 2" Short Hub		
SIZE	DWG. NO.	REV
A	6245-SH-RB	A
SCALE: 1:1	SHEET 1 OF 1	