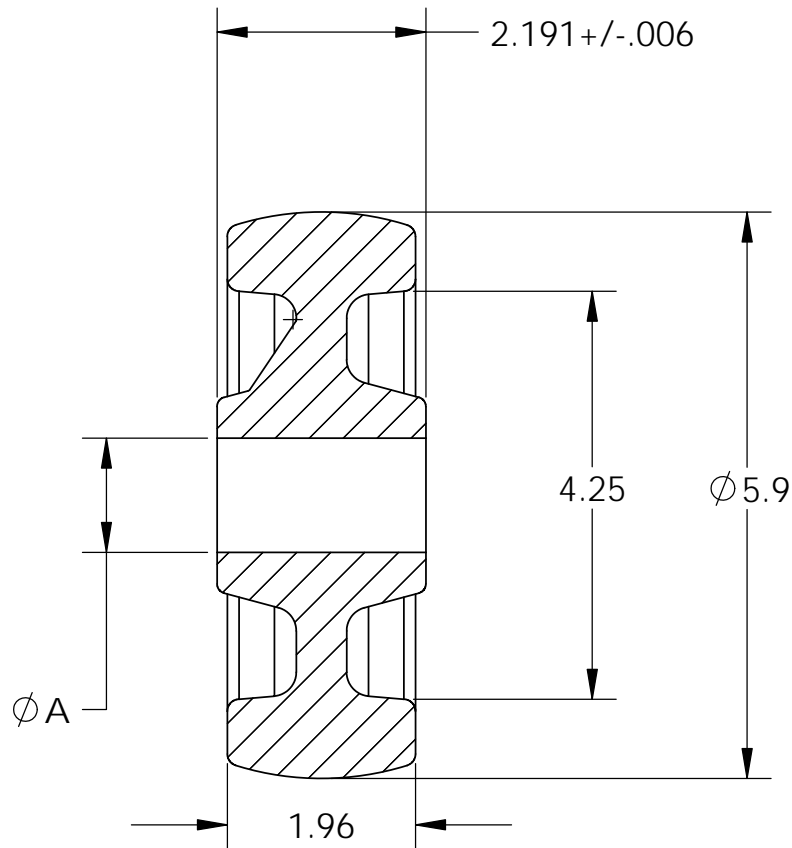
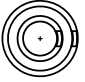


PART NUMBER	DESCRIPTION	DIM. A
62HD-04	6" X 2" X 1-3/16"	1.178 - 1.191



SECTION A-A  
SCALE 1 : 2

UNLESS OTHERWISE SPECIFIED:  DIMENSIONS ARE IN INCHES TOLERANCES:  ONE PLACE DECIMAL ±0.060 TWO PLACE DECIMAL ±0.030 THREE PLACE DECIMAL ±0.015		NAME	DATE	 <b>CIRCULAR CONCEPTS</b> 1003 AUCUTT ROAD, MONTGOMERY, IL 60134 TELEPHONE = 800-221-0069		
	DRAWN	JCH	2-10-09			
	CHECKED	MM	2-11-09			
	ENG APPR.	JCH	2-11-09			
	MFG APPR.	BR	2-11-09			
	Q.A.	MM	2-11-09	TITLE:		
	COMMENTS:			<b>6" X 2" HEAVY DUTY</b>		
MATERIAL	COPOLYMER POLYPROPYLENE			SIZE	DWG. NO.	REV
	DO NOT SCALE DRAWING			<b>A</b>	<b>62HD-04</b>	<b>A</b>
				SCALE: 1:1	SHEET 2 OF 2	

**PROPRIETARY AND CONFIDENTIAL**  
 THE INFORMATION CONTAINED IN THIS DRAWING IS THE SOLE PROPERTY OF THE LAKONE COMPANY. ANY REPRODUCTION IN PART OR AS A WHOLE WITHOUT THE WRITTEN PERMISSION OF THE LAKONE COMPANY IS PROHIBITED.