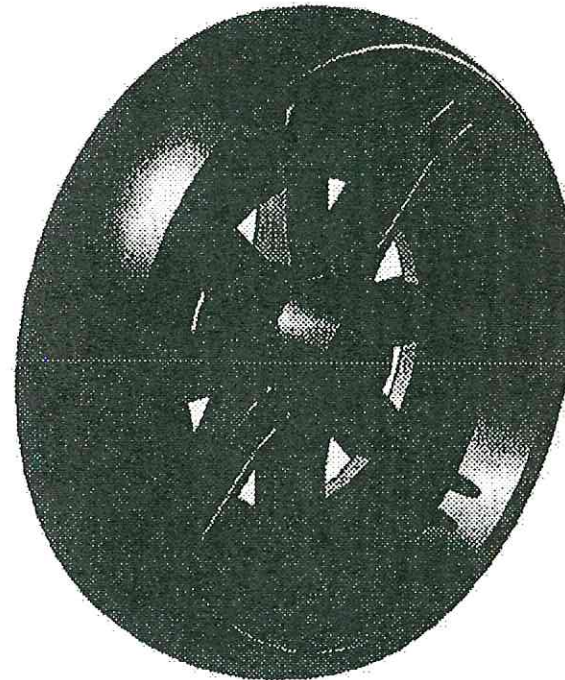
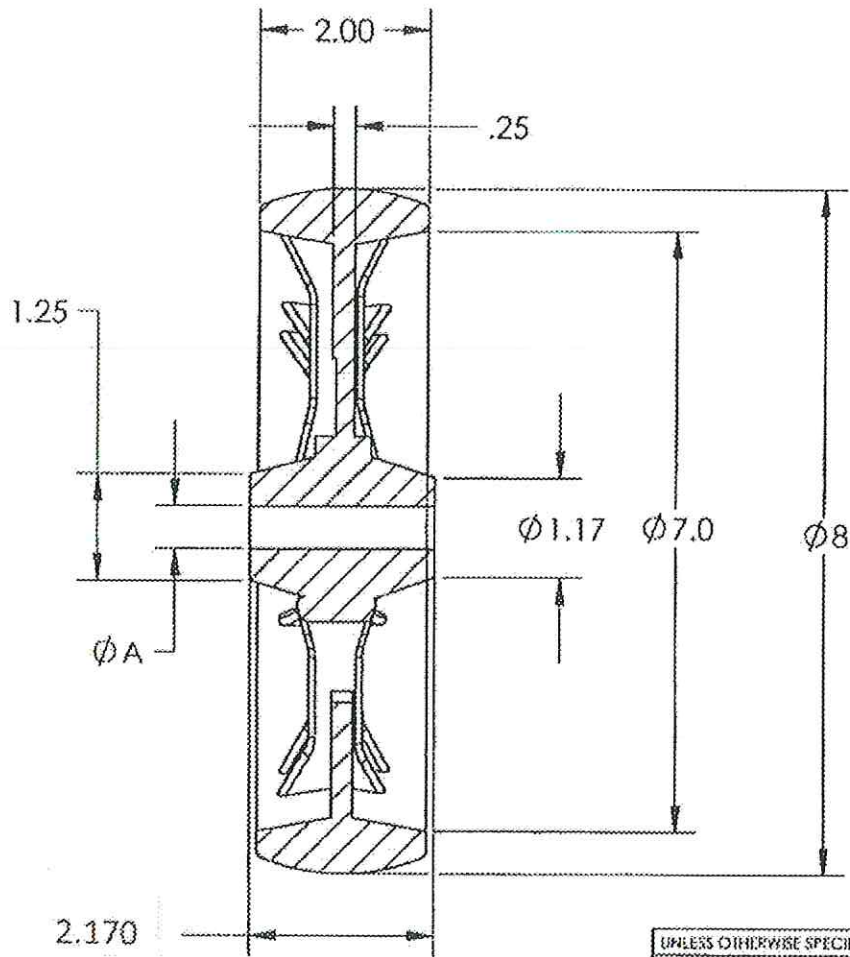


PART NUMBER	DESCRIPTION	DIM. A
82SK-1	8" X 2" X 3/4" CTH	.755 - .770
82SK-2	8" X 2" X 5/8" CTH	.630 - .645
82SK-6	8" X 2" X 1/2" CTH	.505 - .520



SECTION A-A
SCALE 1:2

PROPRIETARY AND CONFIDENTIAL
THE INFORMATION CONTAINED IN THIS
DRAWING IS THE SOLE PROPERTY OF
THE LAKONE COMPANY. ANY
REPRODUCTION IN PART OR AS A WHOLE
WITHOUT THE WRITTEN PERMISSION OF
THE LAKONE COMPANY IS
PROHIBITED.

UNLESS OTHERWISE SPECIFIED:		NAME	DATE
DIMENSIONS ARE IN INCHES		DRAWN	JCH 2-10-07
TOLERANCES:		CHECKED	MM 2-11-09
ONE PLACE DECIMAL ±0.040		ENG APPR.	JCH 2-11-09
TWO PLACE DECIMAL ±0.000		MFG APPR.	BR 2-11-09
THREE PLACE DECIMAL ±0.015		Q.A.	MM 2-11-09
MATERIAL: COPOLYMER POLYPROPYLENE		COMMENTS:	
DO NOT SCALE DRAWING			

CIRCULAR CONCEPTS
1503 AUGUST ROAD, MERRIDEN, CT 06454
TELEPHONE: 860.221.0069

TITLE:
8" X 2" SPOKE

SIZE	DWG. NO.	REV
A	82SK - CTH	A
SCALE: 1:1		SHEET 1 OF 1