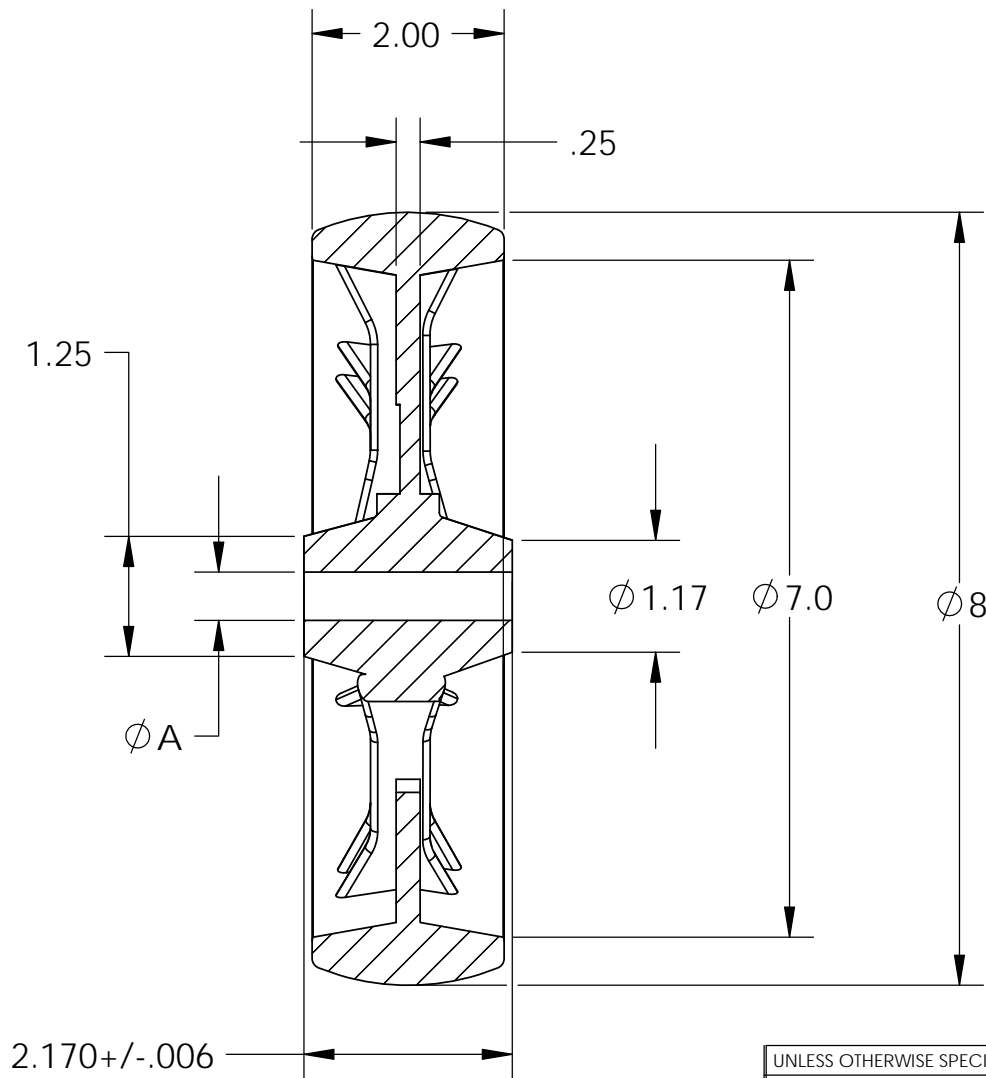


PART NUMBER	DESCRIPTION	DIM. A
82SK-1	8" X 2" X 3/4" CTH	.755 - .770
82SK-2	8" X 2" X 5/8" CTH	.630 - .645
82SK-6	8" X 2" X 1/2" CTH	.505 - .520



SECTION A-A
SCALE 1 : 2

PROPRIETARY AND CONFIDENTIAL
THE INFORMATION CONTAINED IN THIS DRAWING IS THE SOLE PROPERTY OF THE LAKONE COMPANY. ANY REPRODUCTION IN PART OR AS A WHOLE WITHOUT THE WRITTEN PERMISSION OF THE LAKONE COMPANY IS PROHIBITED.

UNLESS OTHERWISE SPECIFIED:

DIMENSIONS ARE IN INCHES
TOLERANCES:
ONE PLACE DECIMAL ±0.060
TWO PLACE DECIMAL ±0.030
THREE PLACE DECIMAL ±0.015

MATERIAL
COPOLYMER POLYPROPYLENE

DO NOT SCALE DRAWING

	NAME	DATE
DRAWN	JCH	2-10-09
CHECKED	MM	2-11-09
ENG APPR.	JCH	2-11-09
MFG APPR.	BR	2-11-09
Q.A.	MM	2-11-09

COMMENTS:



CIRCULAR CONCEPTS

1003 AUCUTT ROAD, MONTGOMERY, IL 60134
TELEPHONE = 800-221-0069

TITLE:

8" X 2" SPOKE

SIZE	DWG. NO.	REV
A	82SK - CTH	A

SCALE: 1:1

SHEET 1 OF 1