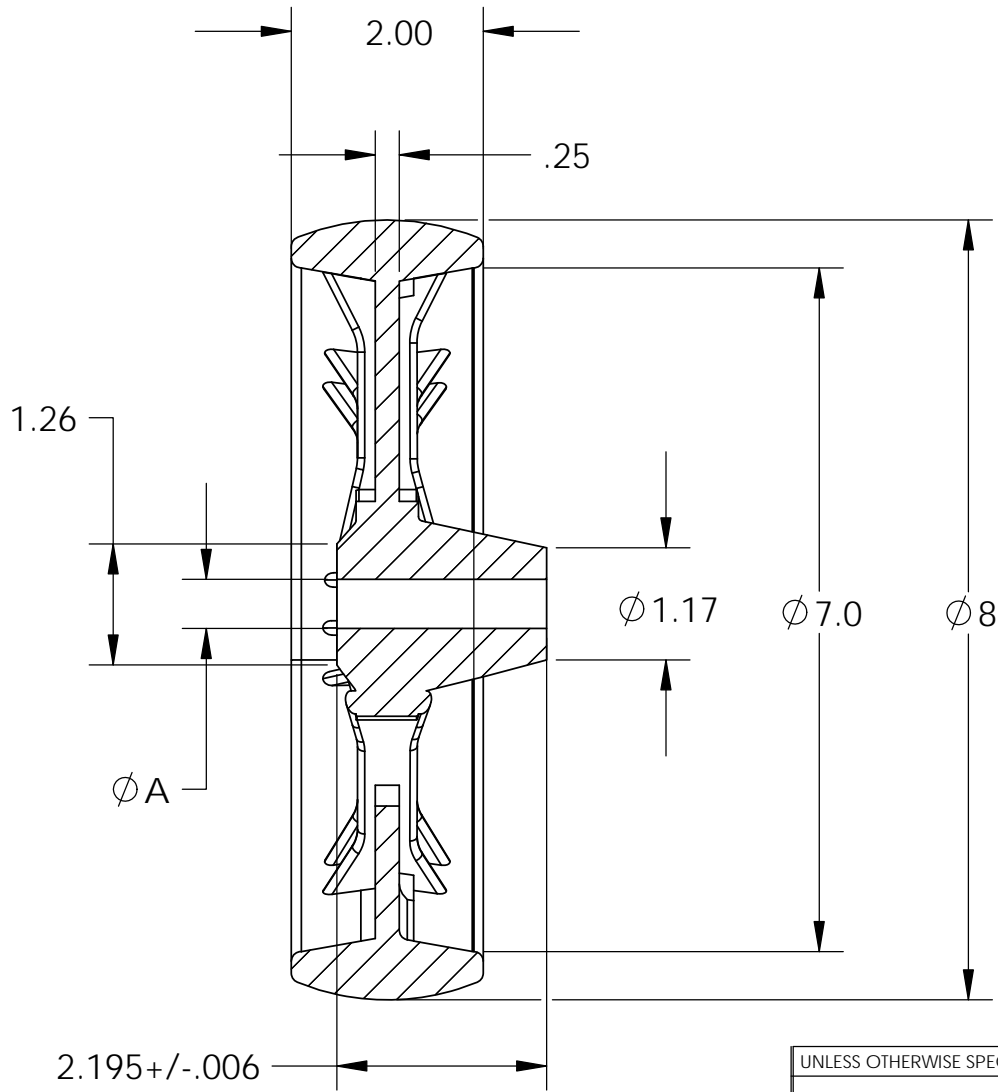


PART NUMBER	DESCRIPTION	DIM. A
82SK-3	8" X2" X 3/4" OSH	.755 - .770
82SK-4	8" X2" X 5/8" OSH	.630 - .645
82SK-5	8" X2" X 1/2" OSH	.505 - .520



SECTION A-A  
SCALE 1 : 2

**PROPRIETARY AND CONFIDENTIAL**  
THE INFORMATION CONTAINED IN THIS DRAWING IS THE SOLE PROPERTY OF THE LAKONE COMPANY. ANY REPRODUCTION IN PART OR AS A WHOLE WITHOUT THE WRITTEN PERMISSION OF THE LAKONE COMPANY IS PROHIBITED.

UNLESS OTHERWISE SPECIFIED:		NAME	DATE
DIMENSIONS ARE IN INCHES TOLERANCES:  ONE PLACE DECIMAL ±0.060 TWO PLACE DECIMAL ±0.030 THREE PLACE DECIMAL ±0.015	DRAWN	JCH	2-10-09
	CHECKED	MM	2-11-09
	ENG APPR.	JCH	2-11-09
	MFG APPR.	BR	2-11-09
	Q.A.	MM	2-11-09
MATERIAL		COMMENTS:	
COPOLYMER POLYPROPYLENE			
DO NOT SCALE DRAWING			



**CIRCULAR CONCEPTS**

1003 AUCUTT ROAD, MONTGOMERY, IL 60134  
TELEPHONE = 800-221-0069

TITLE:

**8" X 2" SPOKE**

SIZE <b>A</b>	DWG. NO. <b>82SK - OSH</b>	REV <b>A</b>
------------------	-------------------------------	-----------------

SCALE: 1:1 SHEET 1 OF 1