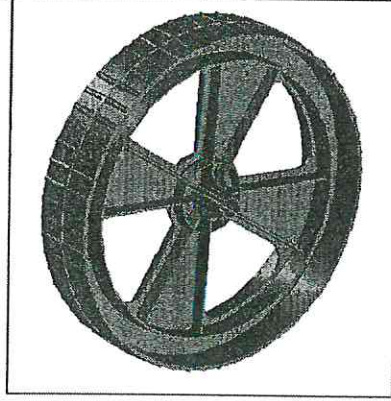
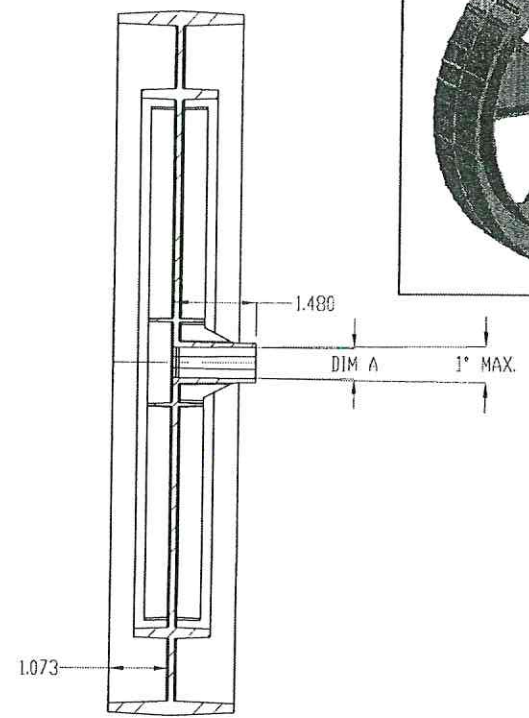
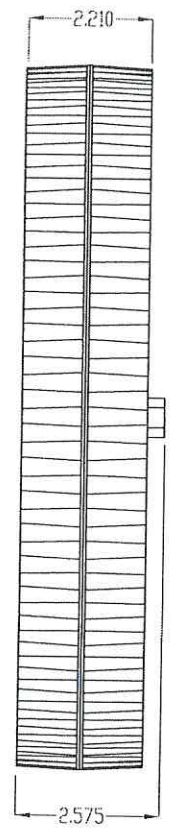
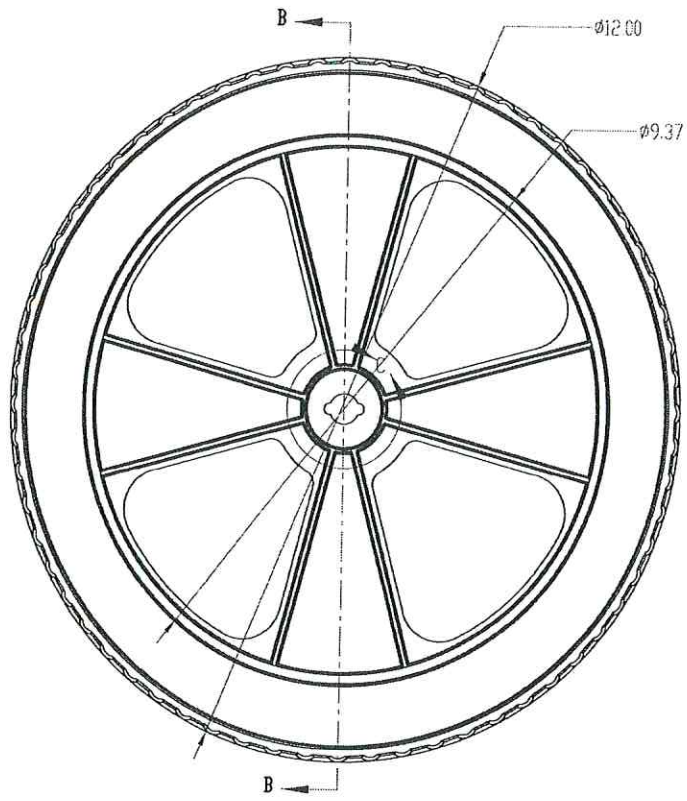


PART NUMBER	DESCRIPTION	DIM A
12L-1	12 X 2-1/4 X 1/2	.505-.525
12L-1D	12 X 2-1/4 X 1/2 Drive	.505-.525



SECTION B-B  
SCALE 1 : 2

UNLESS OTHERWISE SPECIFIED:		NAME	DATE
DIMENSIONS ARE IN INCHES TOLERANCES:		DRAWN	JCH 2-10-09
ONE PLACE DECIMAL ±0.060		CHECKED	MM 2-11-09
TWO PLACE DECIMAL ±0.030		ENG APPR.	JCH 2-11-09
THREE PLACE DECIMAL ±0.015		MFG APPR.	BR 2-11-09
MATERIAL		G.A.	MM 2-11-09
COPOLYMER POLYPROPYLENE		COMMENTS:	
DO NOT SCALE DRAWING			

PROPRIETARY AND CONFIDENTIAL  
THE INFORMATION CONTAINED IN THIS  
DRAWING IS THE SOLE PROPERTY OF  
THE LAKONE COMPANY. ANY  
REPRODUCTION IN PART OR AS A WHOLE  
WITHOUT THE WRITTEN PERMISSION OF  
THE LAKONE COMPANY IS  
PROHIBITED.

 <b>CIRCULAR CONCEPTS</b> 1003 AUCUTT ROAD, MONTGOMERY, IL 60134 TELEPHONE = 800-221-0069		
TITLE: <b>12" LAWN AND GARDEN</b>		
SIZE	DWG. NO.	REV
A	1552	C
SCALE: 1:1		SHEET 1 OF 1